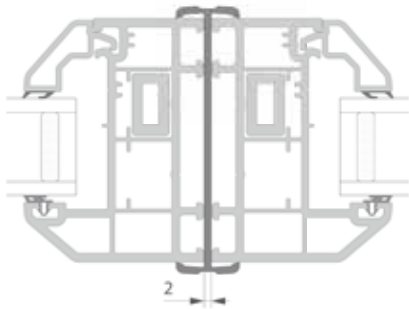


DECEUNINCK IN-LINE COUPLERS

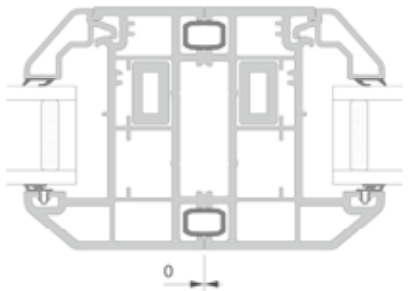
Slimline Couplings

for short span applications with low wind load requirements



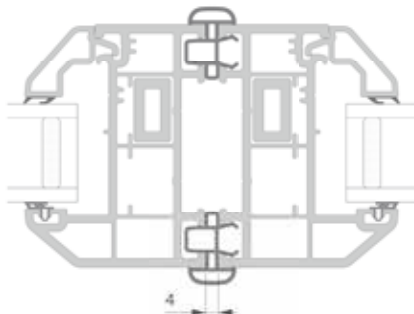
3197

- overlap frame-to-frame coupling
- neat internal finish with sub-cills



3312

- fully concealed coupling
- flush frame finish

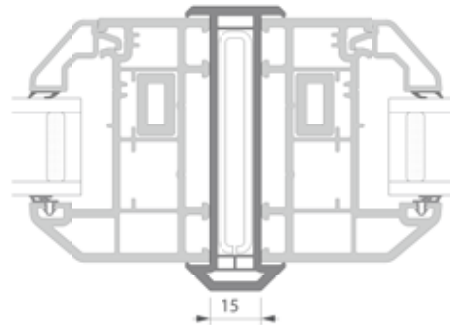


3310

- overlap frame-to-frame coupling
- clip-fit location

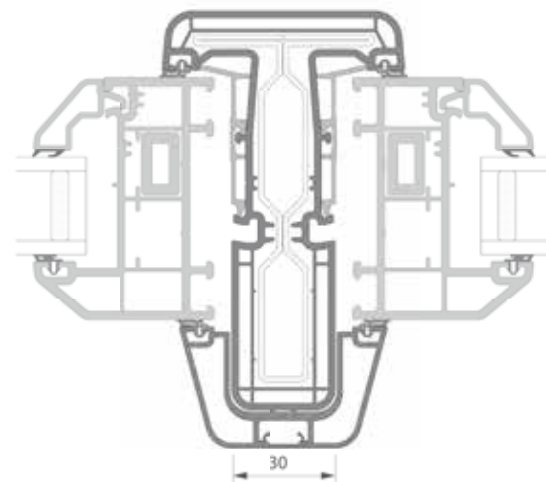
Reinforced Couplings

for longer span applications with higher wind load requirements



6975

- compact coupling for medium loads
- feature overlap face



3705

- heavy-duty structural coupler
- generous expansion/contraction allowance
- optional aluminium capping profile

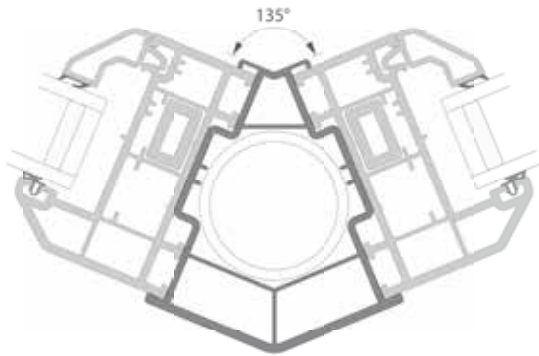
DECEUNINCK

BAY/BOW COUPLERS

deceuninck

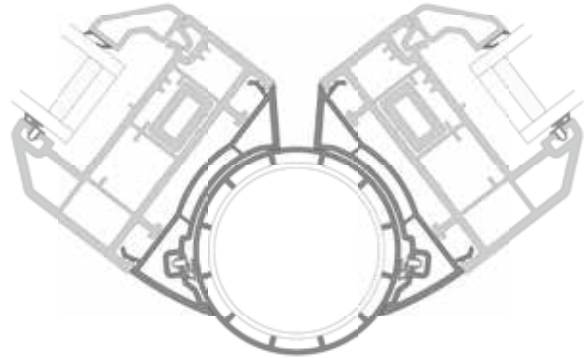
Bay Windows

fixed angle



Bay Windows

variable angle



3196

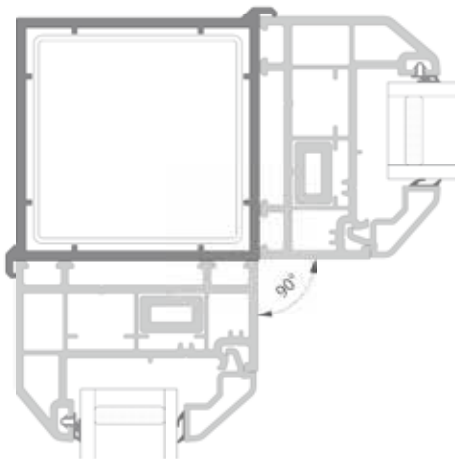
Bay Post

- minimum sightlines
- aluminium reinforcing available

6196
3311

Bay Pole and Adaptor

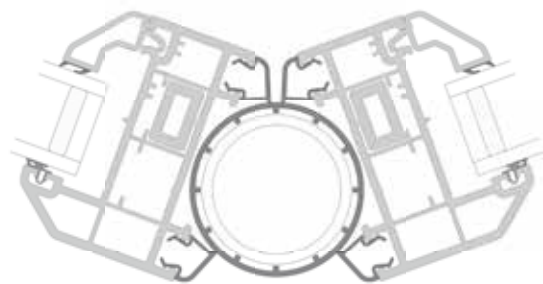
- standard bay pole with adaptor
- angles from 90° - 270°
- aluminium reinforcing available



6920

90° Square Corner Post

- minimum sightlines
- aluminium and galvanised steel reinforcing available

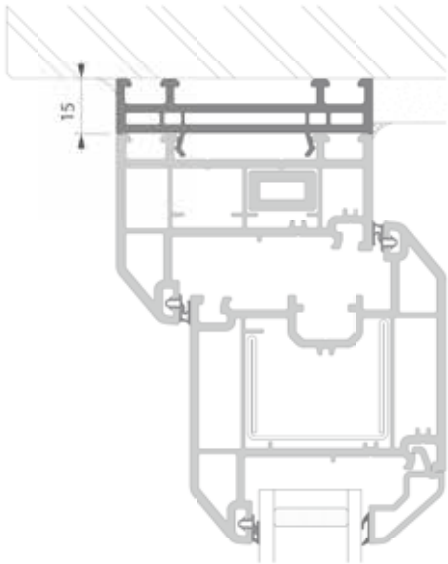


3313
3327

Slimline Bay Pole and Adaptor

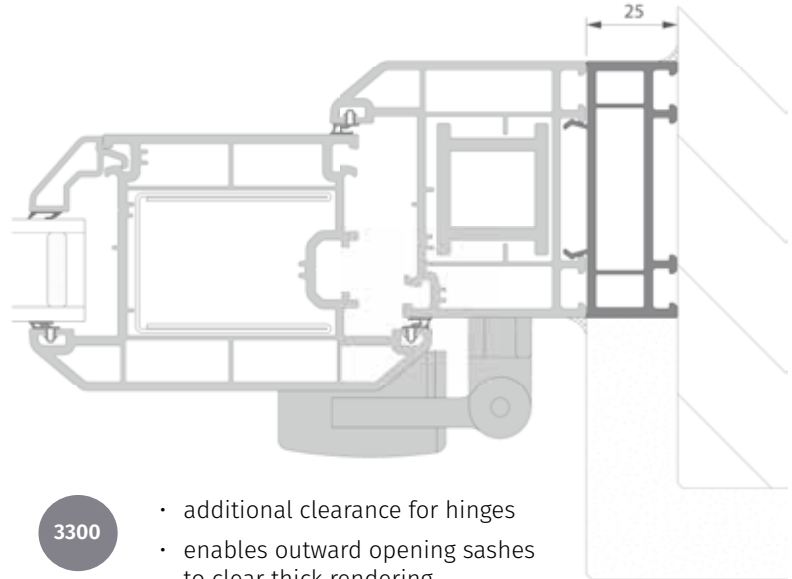
- angles from 138° to 222°
- aluminium reinforcing available
- only available in white due to foiling restrictions

DECEUNINCK FRAME ADD-ONS



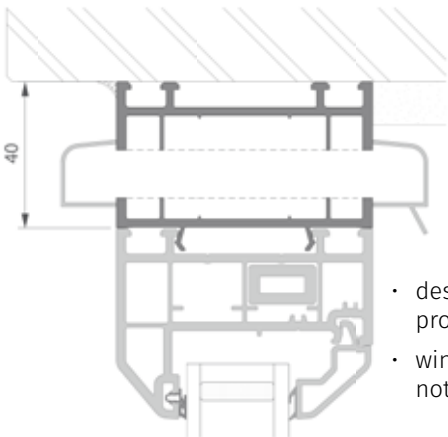
3336

- provides additional clearance whilst limiting sightlines to a minimum



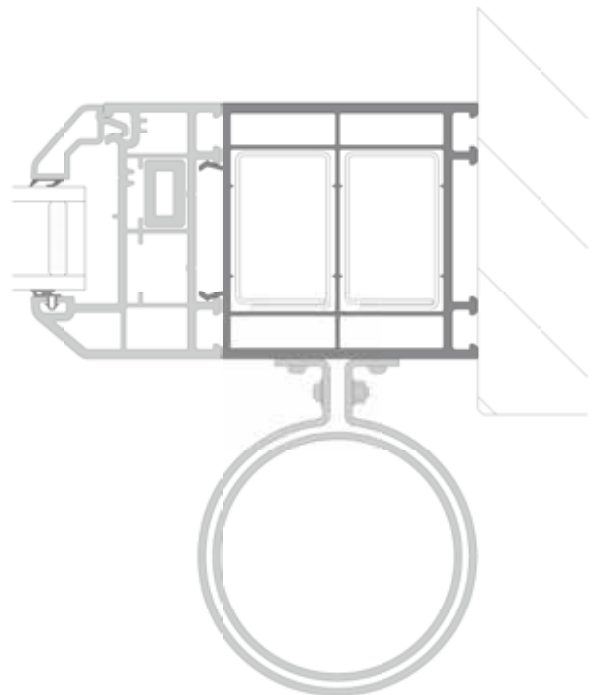
3300

- additional clearance for hinges
- enables outward opening sashes to clear thick rendering



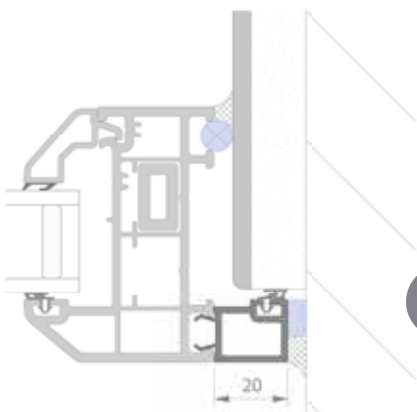
3301

- designed to accommodate proprietary trickle ventilators
- window frame integrity not compromised



3302

- concealing conservatory down pipe
- reduce oversized apertures

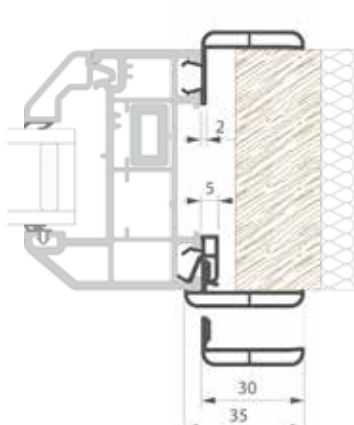


3331

- to provide clearance for existing plaster or tiling
- rebate leg/drip for stone cill
- gasket groove to accept weatherseal 3299

DECEUNINCK ANCILLARIES

deceuninck

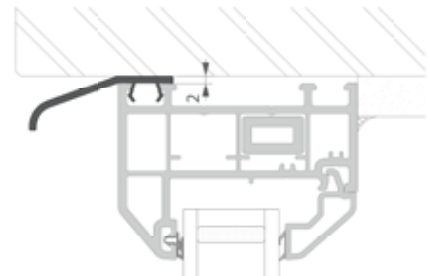


3344
3341

Architraves

- 3344 architrave (30mm) 1-piece
- 3341 adaptor
- 3342 (30mm) or 3343 (35mm) 2-piece architraves

- can be fitted internally or externally
- corner insert available for tidy mitre joint



3303

Head Drip

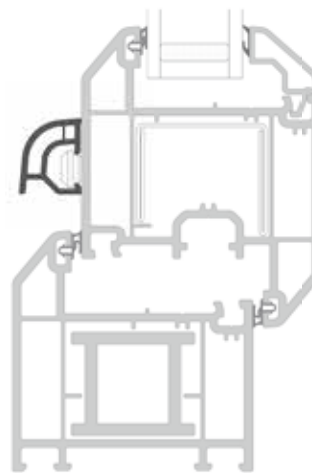
- clip-on head drip



Reveal Liners

- trim for reveal lining
- ideal for sash box refurbishment
- designed to take 10mm infill/liner

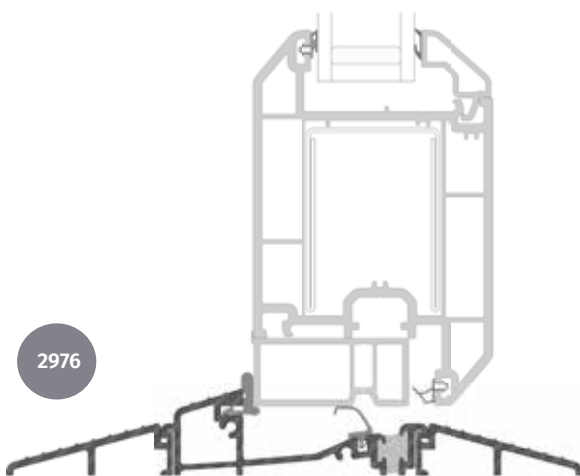
3340



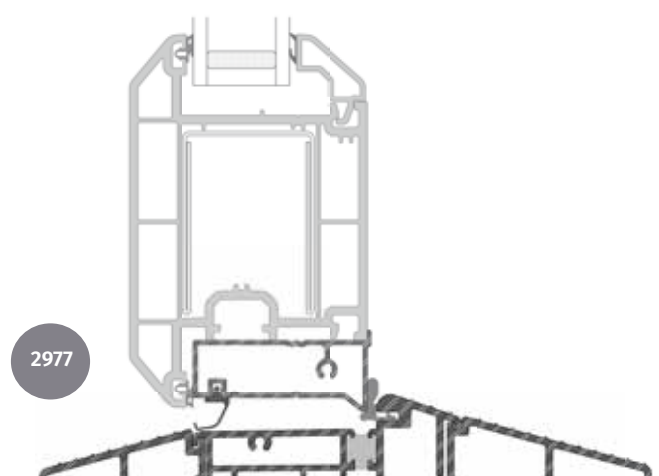
3306

Drip Rail

- clip-on weather bars
- push-fit end caps
- standard item for inward opening products



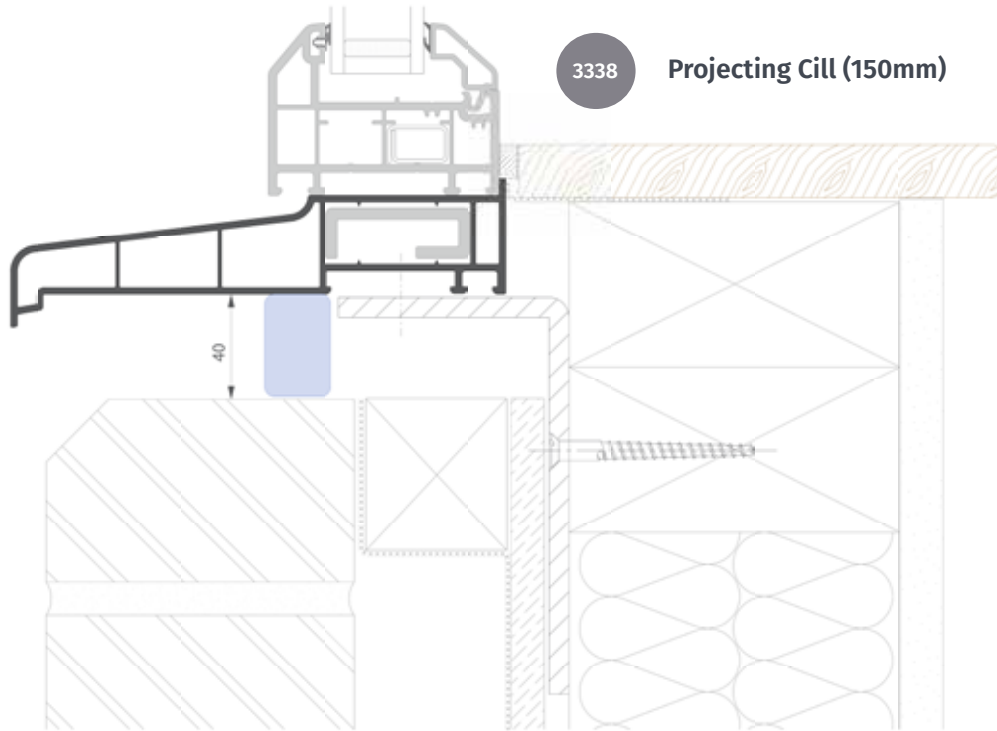
2976



2977

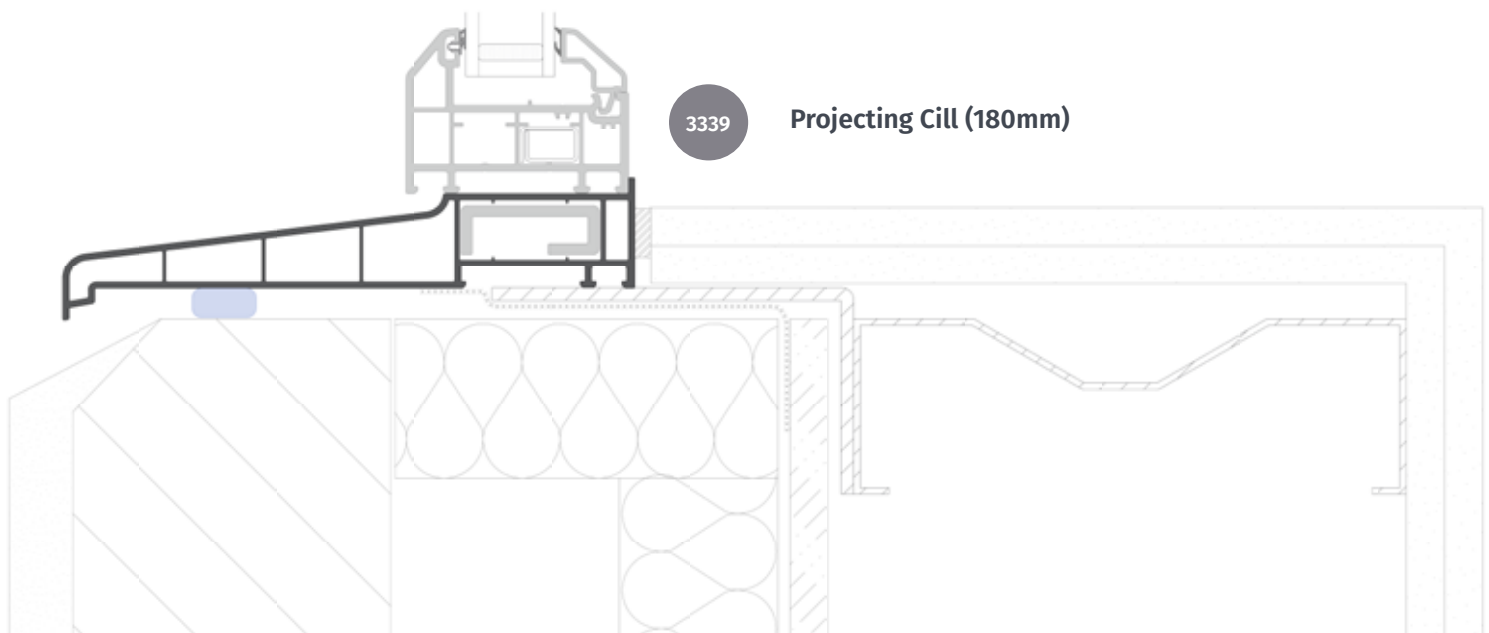
Low Threshold

- improved access for front and rear entrance doors
- Approved Document M compliant

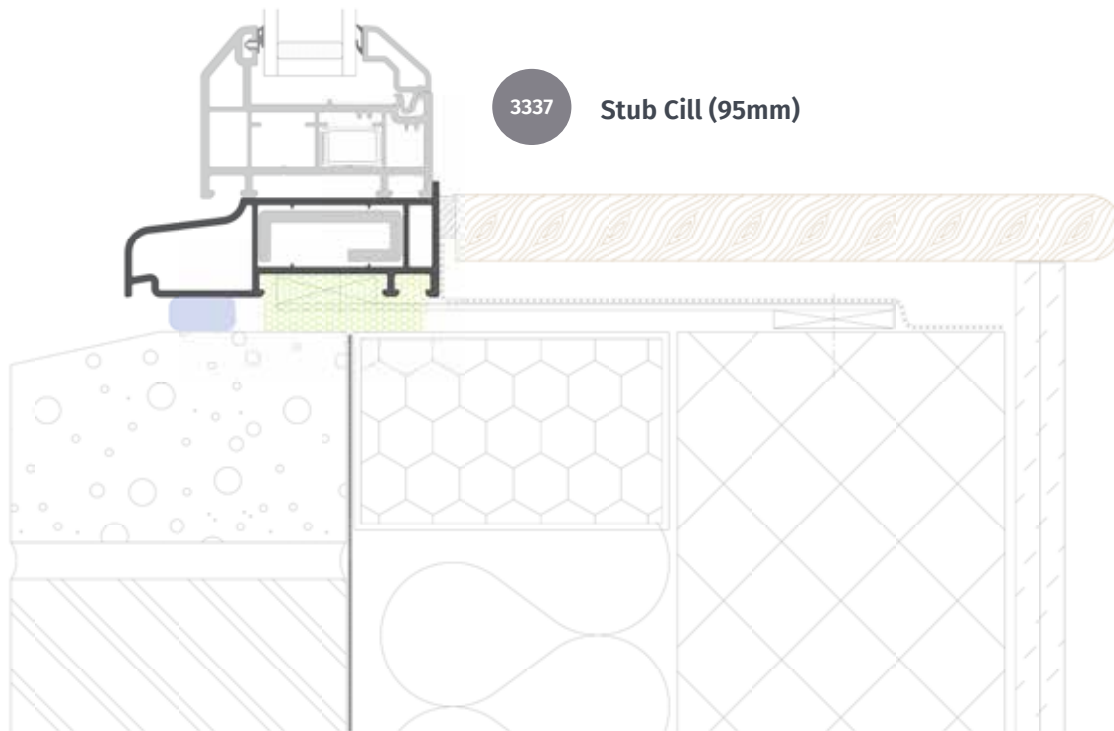


Timber frame construction Tremco Illbruck sealing concept

- three cill sizes 95mm, 150mm, 180mm
- TCI and steel reinforcement options
- dedicated end caps and joiners

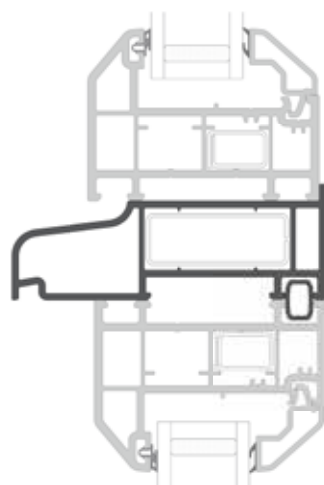


Block metsec construction Tremco Illbruck sealing concept



Stone cill / brick-block construction Tremco Illbruck sealing concept

- three cill sizes 95mm, 150mm, 180mm
- TCI and steel reinforcement options
- dedicated end caps and joiners



3337
3312

3337 Stub Cill
3312 Concealed Coupler

- horizontal coupling/drip detail