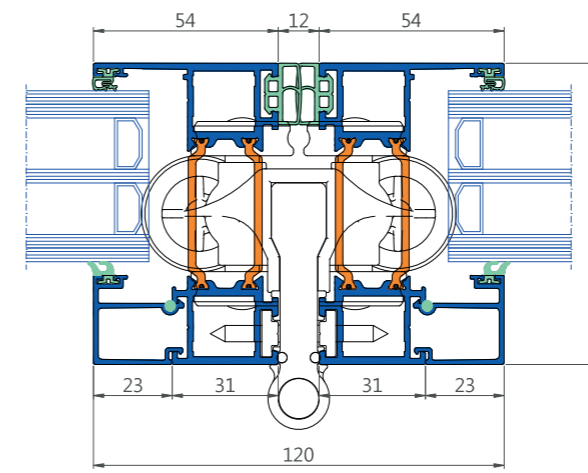
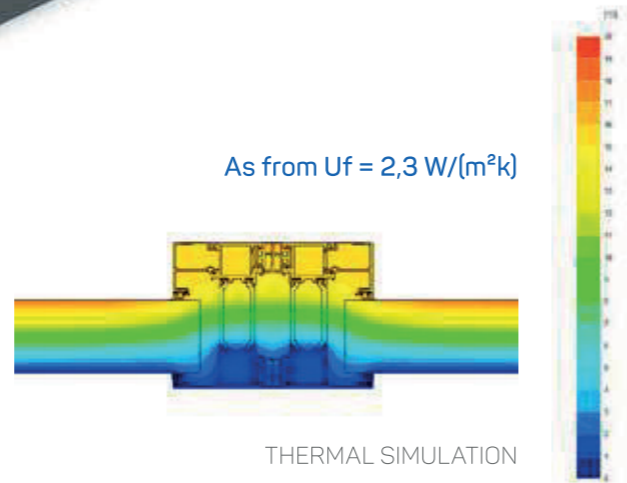


DECALU88 FOLDING DOORS

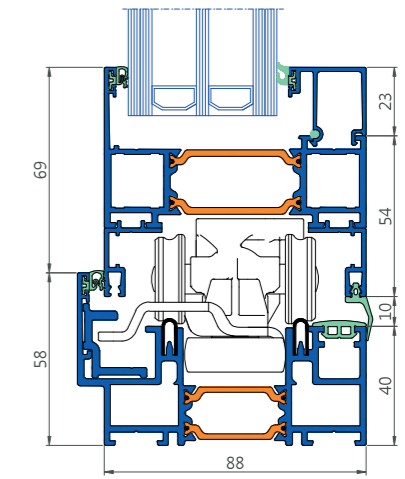
Outdoor living at its best



Make optimal use of the window aperture with a **folding door or harmonica door**. This system is also perfectly suited for a poolhouse or a guest room. Thanks to this new architectural window solution, indoor and outdoor spaces merge seamlessly into each other, enabling you to enjoy both in an optimal manner. In addition, one sash can be used as an entrance door.



horizontal section



vertical section

Technical performance		Decalu88 Folding Doors
TEST	GLAZING	VALUE (SASH + FRAME)
EN ISO 10077-2		as from $U_f = 2.3 \text{ W/m}^2\text{k}$
EN ISO 10077-1	Double glazing	$U_g = 1.1 \text{ W/m}^2\text{K}$ $U_w = 1.14 \text{ W/m}^2\text{K}^*$
	Triple glazing	$U_g = 0.6 \text{ W/m}^2\text{K}$ $U_g = 0.4 \text{ W/m}^2\text{K}$ $U_w = 0.83 \text{ W/m}^2\text{K}^*$ $U_w = 0.68 \text{ W/m}^2\text{K}^*$
Air permeability	NBN EN 12207	Class 3
Watertightness	NBN EN 12208	450 pa
Wind resistance	NBN EN 12210	n/a
Operating forces	NBN EN 13115	n/a
Incorrect use	NBN EN 13115	n/a

Technical characteristics	Decalu88 Folding Doors
Frame installation depth	88mm
Sash installation depth	88mm
Hardware	delivered with the system
Rebate height:	25mm
Glazing bead height	23mm
Possible glass thickness:	12-62mm
Internal visible height of the frame	30-40mm
External visible height of the frame	30-58mm
External visible height of the cross beam	n/a
Exterior	flat
Interior	flat
Central gasket	n/a
Glazing rubbers	EPDM
Alloy	EN AW 6060 TW66
Thermal break	Abs 49mm

(*) U-Value calculated on the basis of a folding door measuring 4000 x 3000mm (WxH) and featuring 4 sashes